

Air

Lighting and climate controller
for indoor cultivation



Can be used in

Vertical farming
Indoor farming
At-home farm
Smart greenhouse
Indoor cannabis cultivation
Retail



Mobile app connected
Part of the Visionary Farms
ecosystem
Growing recipes available via
subscription



Daily/monthly lighting regime
scheduling



Alerts in case of emergency



Full farm analytics available



Air was designed specifically for indoor cultivation and vertical farming. Most controllers available today are designed for greenhouses, so they feature functions not needed for indoor cultivation. Unlike them, Air has everything necessary for indoor cultivation, while it does not measure parameters that apply only to outdoor or greenhouse soil-based cultivation. Nothing more, nothing less.

Air can set and maintain climate control parameters, lighting schedules and lighting spectral combinations. You can set your desired parameters in the mobile app or use the automated cultivation recipes available with the Visionary Farms cloud subscription.

Using Air with the Cloud subscription allows you to control and monitor your farm remotely. Alternatively, you can use the free local mode to control and monitor the conditions on your farm by connecting to the same Wi-Fi network.

Climate:
Measures and controls

ambient temperature
CO₂ levels
relative humidity

Lighting:
Controls

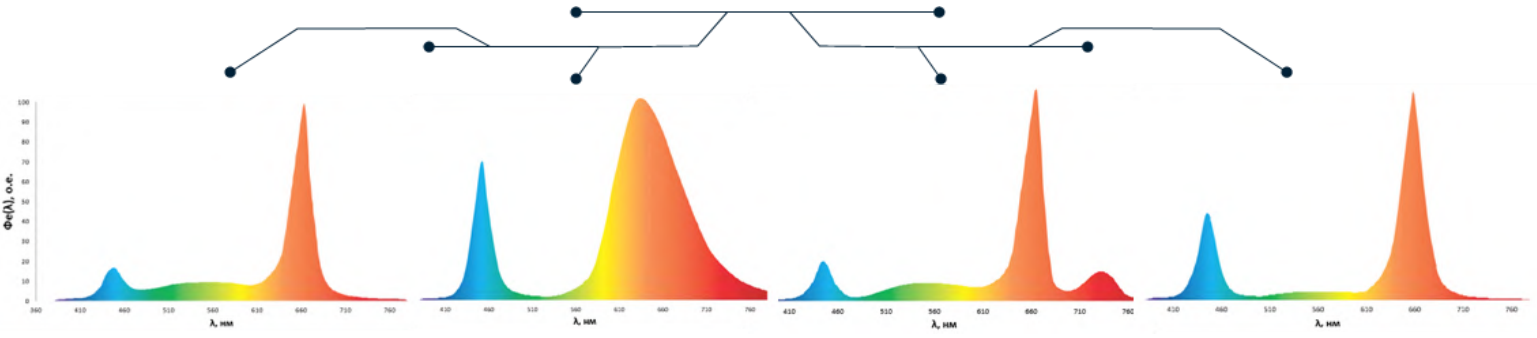
Dimming
Sunset/sunrise regime
Day/night regime



Rare on the market:
Spectral combination

External devices:
Manages

Humidifiers
Dehumidifiers
Heaters
Coolers
Fans
CO₂ pumps



Standard PR+W

The optimal ratio of the main PAR ranges achieves maximum produce yields. Effective for microgreens and most leafy greens during all stages of growth.

Germination PR+B

The spectrum is specially designed for use in the early days of plant development. Effective for microgreens and leafy greens in the first 10 days of the growing season.

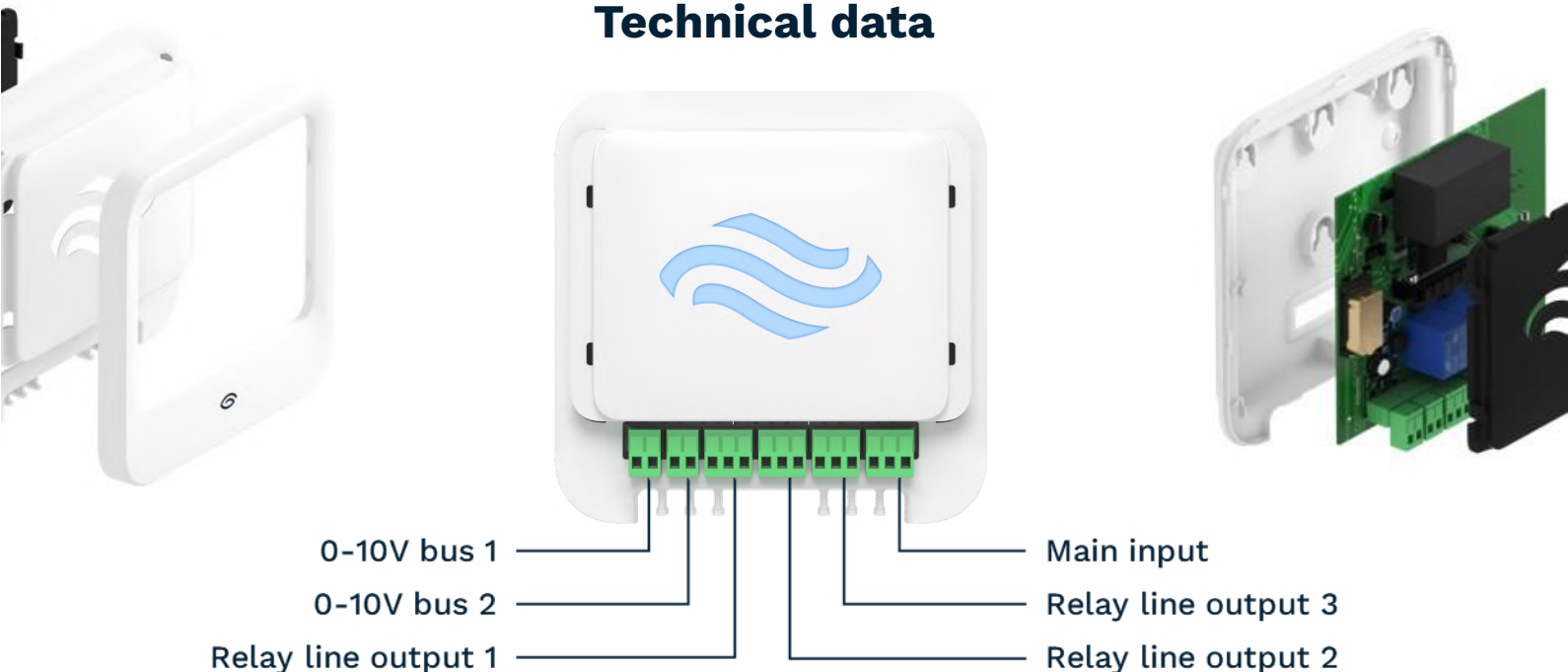
SuperGrow PR+W+FR

A spectrum with wavelengths of near-IR radiation accelerates plant growth. Effective for some microgreens and leafy greens during the first half of the growing cycle. Not recommended for basil due to the presence of far red wavelengths.

UltraColour PR+W+B

A spectrum with a higher proportion of blue light designed for growing coloured plants. Effective for microgreens and lettuce crops during all stages of growth.

Technical data



Connections:

Mains cable and relay lines output:

Solid core up to 1.5 mm²

Stranded up to 1.5 mm²

0-10V bus cable:

0.5 mm² – 1.5 mm²

Max. length: 100 m @ 1.5 mm²

Conformity and standards:

0 – 10V buss: ANSI E1.3

EMC emission: EN 61000-6-3, EN 55015

EMC immunity: EN 55024, EN 61547

Safety: EN 61347

Environment: complies with RoHS directive.

Color body: White (RAL 9003)

Material: Polycarbonate (PC)

Operating and storage conditions:

Ambient temperature: 0 °C to +40 °C

Relative humidity: Max. 90 %, noncondensing

Storage temperature: -10 °C to +60 °C

Power supply:

Mains supply 230 V:

220 V AC – 240 V AC (nominal)

198 V AC – 264 V AC (absolute)

45 Hz – 65 Hz

Mains supply 110 V:

100 V AC – 120 V AC (nominal)

90 V AC – 140 V AC (absolute)

45 Hz – 65 Hz

Power factor: > 0.9

Power consumption: 25 W

Circuit protection: fuse 10A.

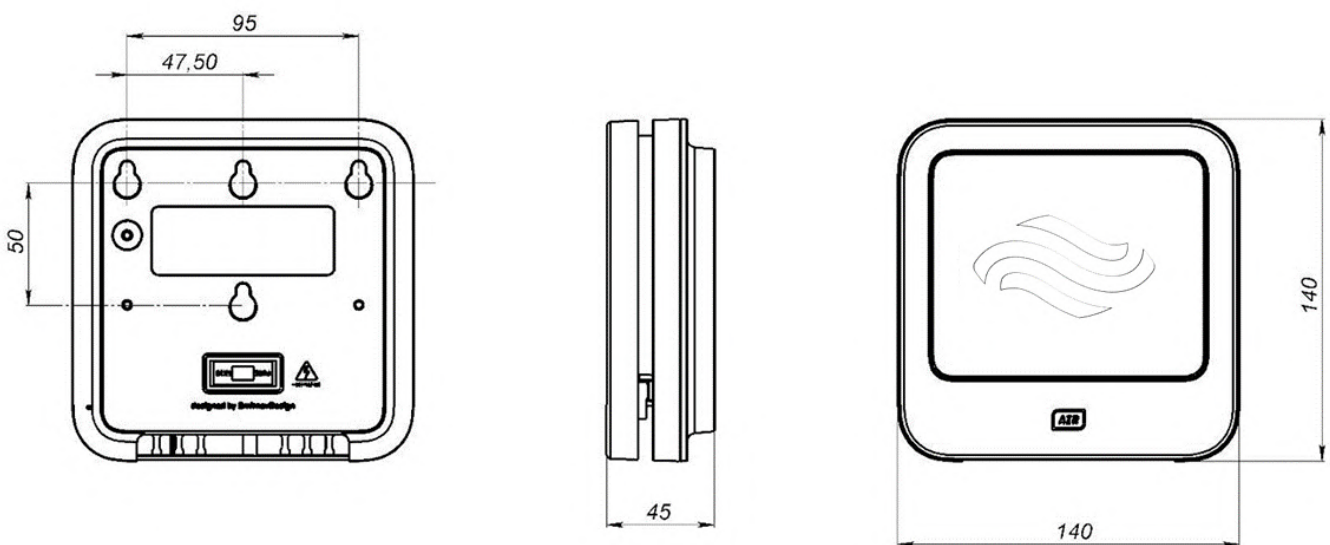
Mechanical data:

Dimensions: 140 mm x 140 mm x 45 mm

Weight: 240 g

Mounting: Screws or DIN rail

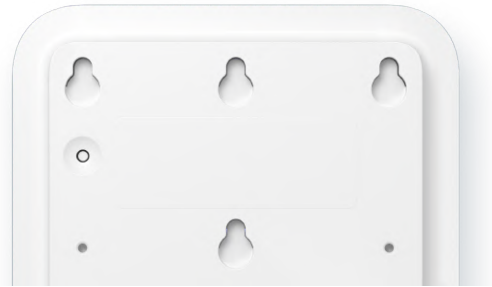
IP rating: IP20



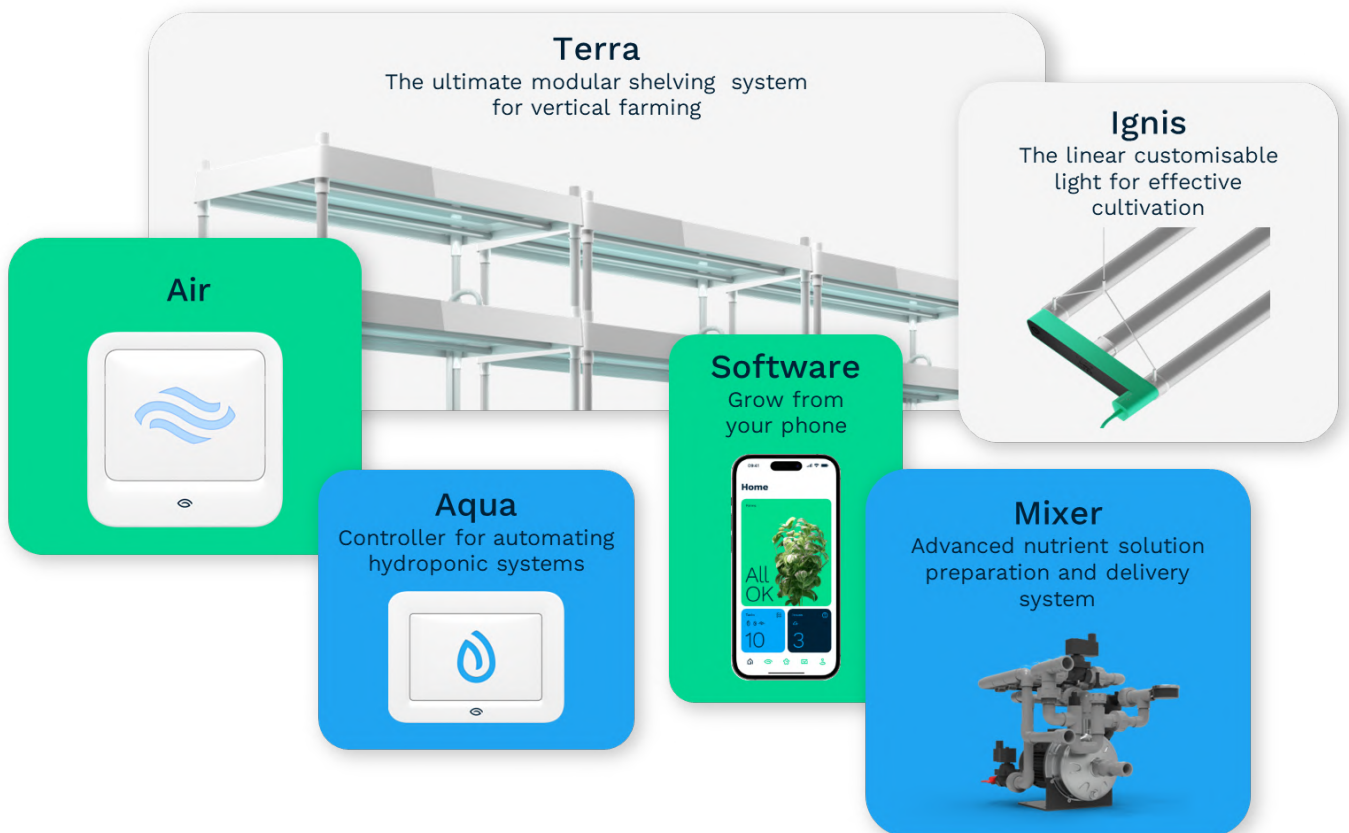


Simple installation

One tool keyhole mounting



Air works with the Visionary Farms ecosystem



Cloud subscription

Whilst you can set parameters manually without the cloud subscription, using it unlocks Air's full potential and maximises the capabilities of your farm.



Control anytime, anywhere

Control and monitor the conditions on your farm remotely using the Visionary Farms app.



Cultivation recipes for 60+ varieties

Achieve better yields with automatic settings and maintenance based on 7+ years of research.



Access to full analytics

Gain valuable insights into your farm from Air's sensors.



Smart cultivation tips

From our plant science experts personalised to the varieties you are growing.



Operations management functionality

Automatic task scheduling and delegation among farm team members, notifications of any issues.



Full technical support

From our software and hardware engineers and plant science experts.



Projects using Air

Restaurant “Parnik”

Parnik is a trendy salad bar. All of the herbs, microgreens and leafy greens used in its dishes are grown directly in-house using Visionary Farms technology.

The project was completed in January 2020 and continues to operate using Visionary Farms hardware and software.



Two leafy greens farms

With the help of Visionary Farms lighting, hardware and consulting services, in 2020, the first city farm in the Udmurtia region was launched, which grows greens all year round.

“The founder of Visionary Farms was the first person to help me understand urban farming, and only thanks to him I was able to build and operate my first vertical farm.”

Andrey Golovkin, urban vertical farmer

Rocket, Romaine lettuce, Binex lettuce, Swiss chard + Dunstar lettuce

\$97k

Revenue in 2022

228m²

Total cultivation area

350kg

Total monthly harvest

Strawberry greenhouse

This greenhouse, created in 2021, boasts uninterrupted strawberry production for 10 months out of the year.

It was created using Visionary Farms lighting, hardware and software solutions and consulting services.



450m²

Total cultivation area

4 tonnes

Total monthly harvest

\$103k

Revenue in 2022